

TILAK MAHARASHTRA VIDYAPEETH, PUNE
BACHELOR OF LAWS (LL.B.) (Three Years Semester Pattern)/
B.A. LL.B. (ACADEMIC LAW)
(FIVE YEARS SEMESTER PATTERN) CREDIT SYSTEM
EXAMINATION : DECEMBER - 2023
SIXTH/SECOND SEMESTER
Sub.: Family Law – II (LW-6002/201)

Date : 12/12/2023

Total Marks : 60

Time: 10.00 am to 12.30 pm

Instructions: 1) All questions are compulsory.
2) Figure indicate to the right full marks.

Q. 1. Answer the following question. (15)

A) Disqualifications for inheritance under Hindu Law

OR

B) Explain the concept of coparcenary discuss Powers and Duties of Coparcener

Q. 2. Answer the following question. (15)

A) Discuss in detail General Rules of succession in case of Hindu male dying intestate under Hindu Succession Act,1956

OR

B) Explain why coparcenary is limited upto four degrees only

Q. 3. Write Short Notes. (any four) (20)

a) Waqf

b) Stridhan under Hindu Law

c) Pre-emption

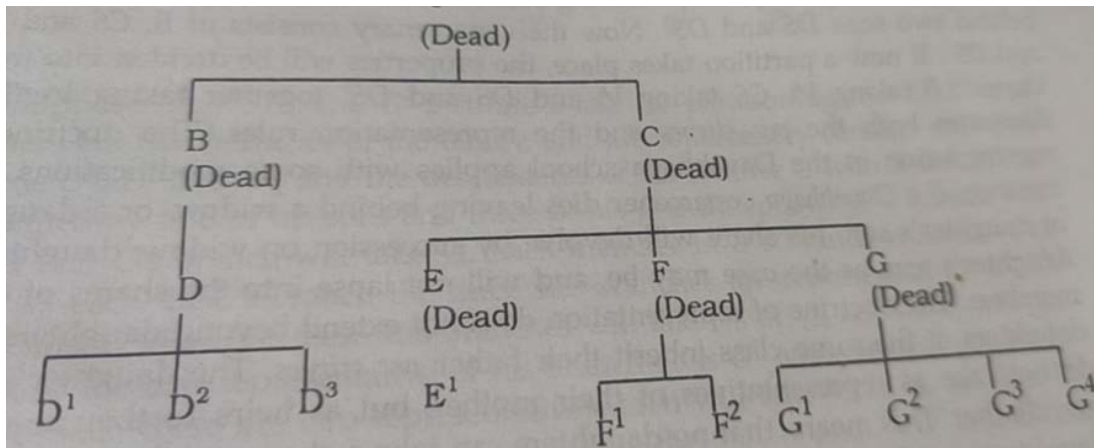
d) Classification of Property under Hindu Law

e) Hiba

f) Succession of Hindu female under Hindu Succession Act,1956

Q. 4. Answer the following questions. (10)

A) Execute Partition by applying rules of partition under Hindu Law in the given Diagram:



OR

B) Explain in detail. General principles of inheritance under Muslim Law
